

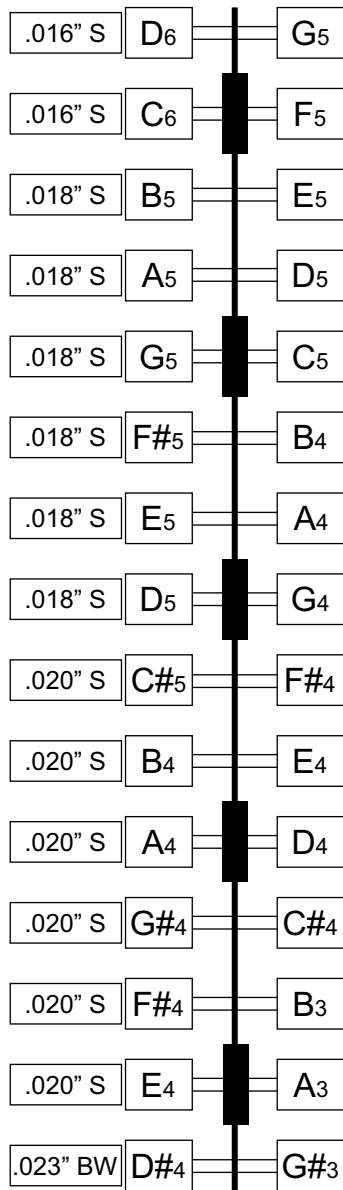
# Jerry Read Smith 4 Octave Hammered Dulcimer

## Extended Compass

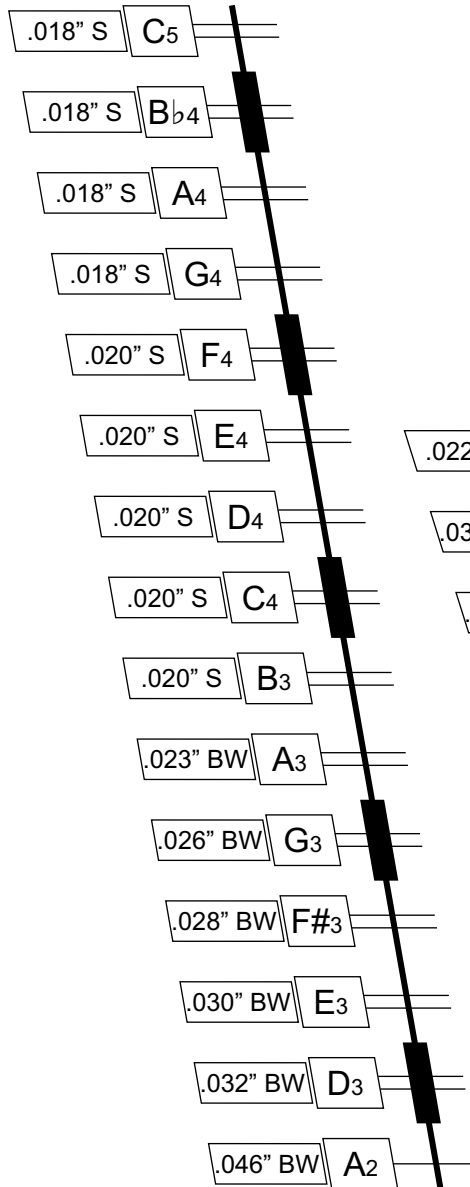
Questions?  
 Call Jerry @ 828-301-1622 or  
 The Showroom @ 828-669-7675



**15 Course  
 Treble Bridge**  
 Tune on Left



**15 Course  
 Bass Bridge**  
 Tune on Right



**9 Course  
 Super Bass  
 Bridge**  
 Tune on Right

